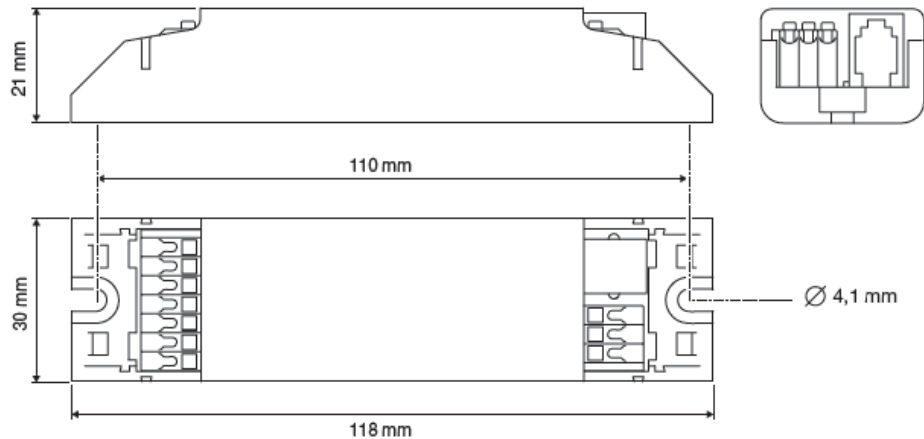


DALIeco Control

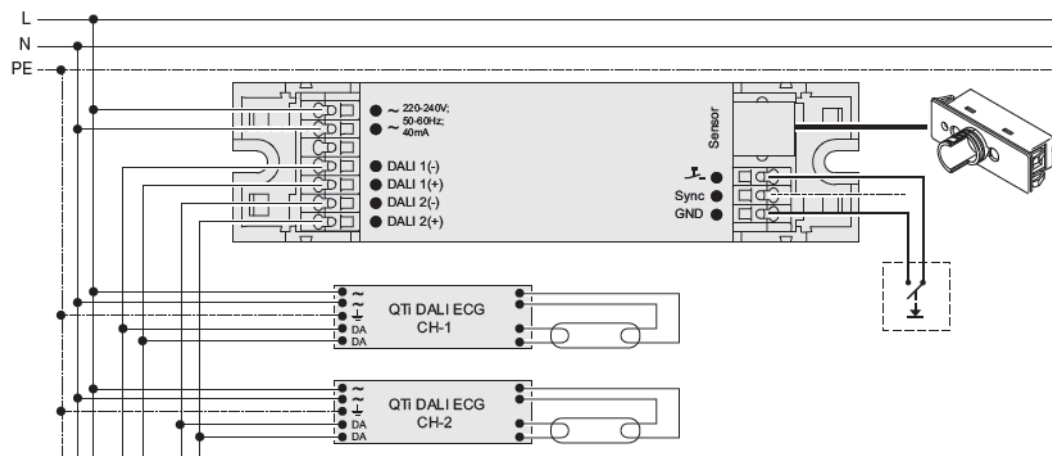
Technical information

Edition: October 2012
Subject to change without any notice

Design & Dimensions



Wiring diagram



Technical data

Designation:	DALIeco Control
Mains connection:	L, N; 220-240 V AC, 50-60 Hz
Power consumption:	0,2 W – 3,0 W (depends on amount of ECGs/sensors connected)
DALI output:	<ul style="list-style-type: none">• max. 64 mA (in total over both channels, asymmetric load allowed)• max. cable length: 100m (per channel)
Push button input:	<ul style="list-style-type: none">• Potential-free closing contact, max. cable length: 50m
Sensor connection:	<ul style="list-style-type: none">• Up to 4 DALIeco LS/PD LI sensors connectable• max. cable length: 25m (in total to all sensors)
Ambient temperature:	<ul style="list-style-type: none">• -20 °C ...+ 50°C (in operation)
Type of protection:	IP 20
Protection class:	II
CE requirements:	EMV complies with EN 61547 and EN 55015 Safety complies with EN 61347-2-11 and EN 60598