



SOLATUBE[®]
DAYLIGHTING SYSTEMS

Installation Instructions

Electric Light Fixture
Solatube Ø 53 cm

Enjoy daylight

Contents

| | |
|--|---|
| 1. Product Overview | 3 |
| 1.1 Parts | 3 |
| 1.2 Optional Parts | 3 |
| 2. Installation Steps | 4 |
| 2.1 Step 1 – Drill holes in the tube | 4 |
| 2.2 Step 2 – Intall the light fixture | 4 |
| 2.3 Step 3 – Install cover plates and fixings | 5 |
| 2.4 Step 4 – Connecting Wiring | 5 |

Version

07-05-2020

Safety Information

- Always observe the safety instructions for the materials and tools to be used.
- Always wear the appropriate personal protective equipment (gloves, safety goggles etc.)
- We would suggest that any roof works is completed by an experienced roofer.
- Always have any electrical works carried out by a certified electrician.
- Please note that the installation works is carried out at your own risk.

Guarantee

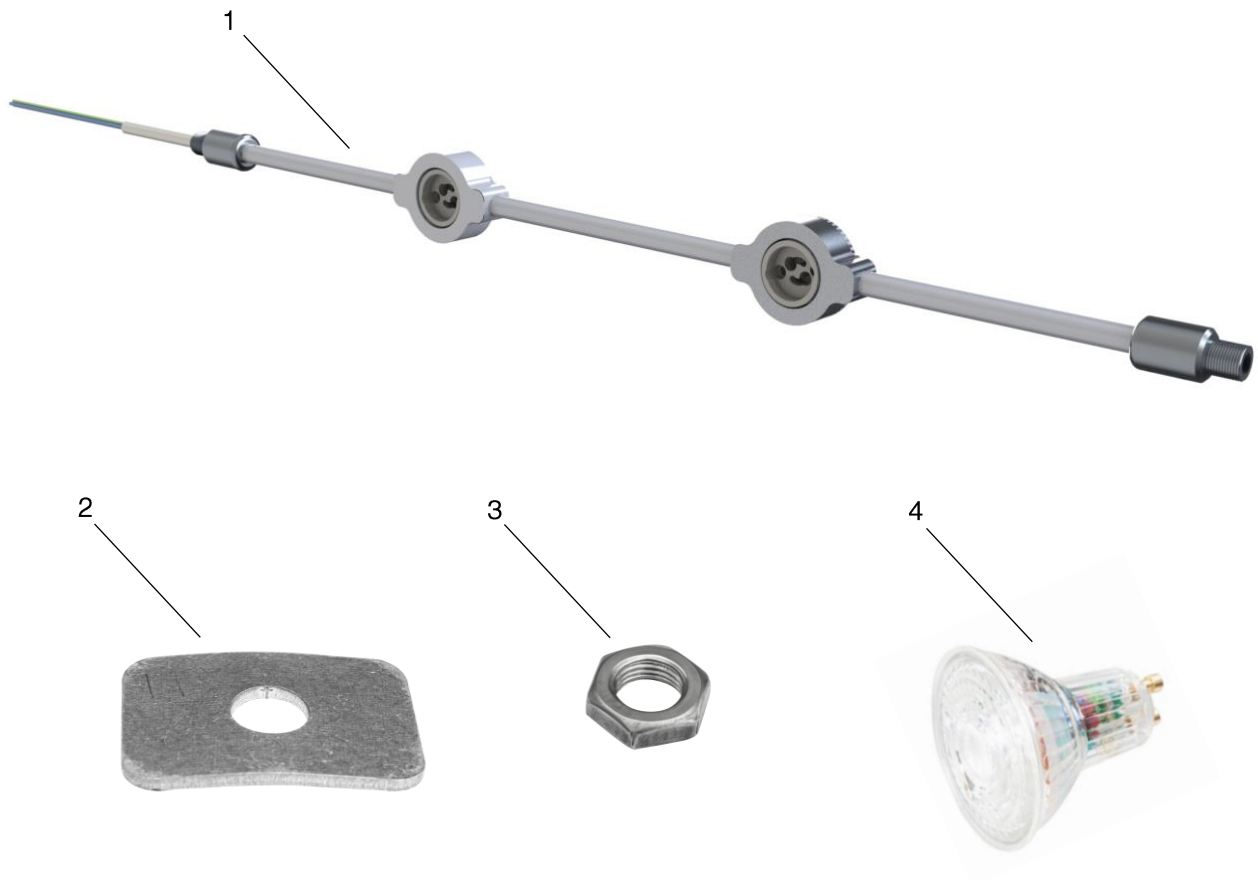
Non-electrical Solatube® components are covered by a 10 year manufacturer’s warranty against any manufacturing defects. Please retain the original proof of purchase to validate the product warranty. Any costs associated to the installation of any replacement parts covered under the warranty remain at the expense of the purchaser. Our terms and conditions are available upon request.

Disclaimer

Techcomlight Limited expressly disclaims any liability for any unexpected additional expense arising as a result of condensation or any water damage resulting from condensation, installation not in accordance with Techcomlight Limited’s installation guide/s or any other external influences beyond the control of Techcomlight Limited. Techcomlight cannot be held liable for damage to structures caused as a result of making openings and installing Solatube® systems. Techcomlight assumes no responsibility or obligation for the failure of an architect, contractor, installer or building owner to comply with all applicable laws, ordinances, building codes, energy codes, fire and safety codes and requirements, and adequate safety measures.

Installation instructions reserved. No rights can be derived from this publication.

1. Product Overview



1.1 Parts

1. Solatube® GU10 light fixture
2. 2 x cover plates
3. 2 x fixing nuts

1.2 Optional Parts

4. 2 x Led GU10 bulbs

Lighting Fixture

- Suitable for 220-240 volts.
- Maximum 2 x 20 Watt LED light bulb with GU10 fitting.

The following tools may be required;

- Cordless Drill
- Step drill bit or 13 mm metal drill bit

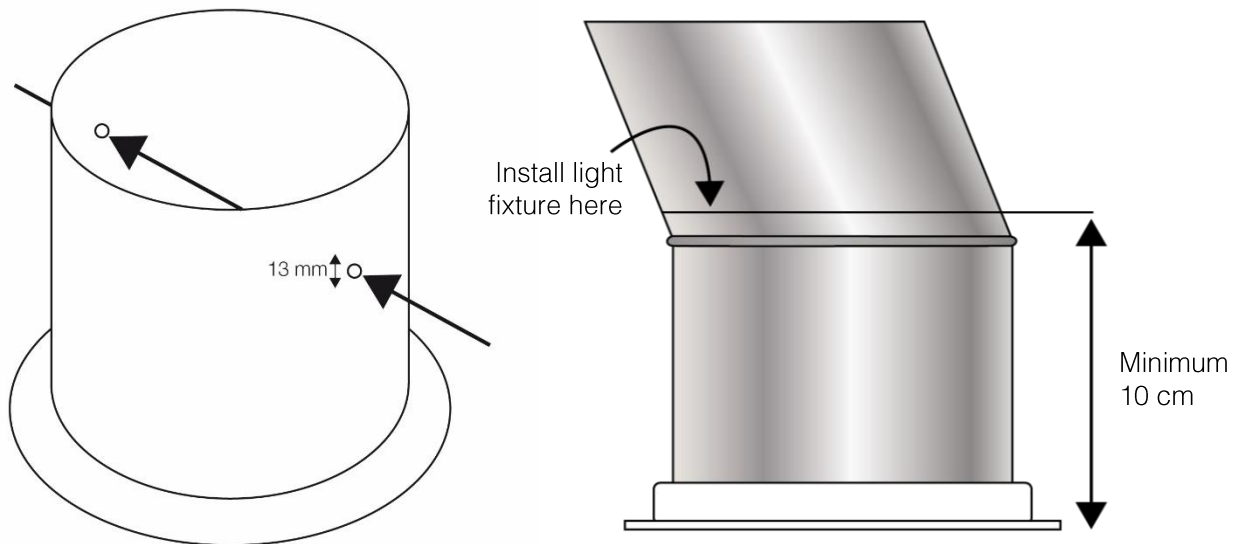
Tip

Measure the installation height of the light fixture before proceeding with the installation. Install the light fixture at least 10 cm above the ceiling diffuser and ensure there is at least 10 cm clear space above the light fixture.

2. Installation Steps

2.1 Step 1 – Drill holes in the tube

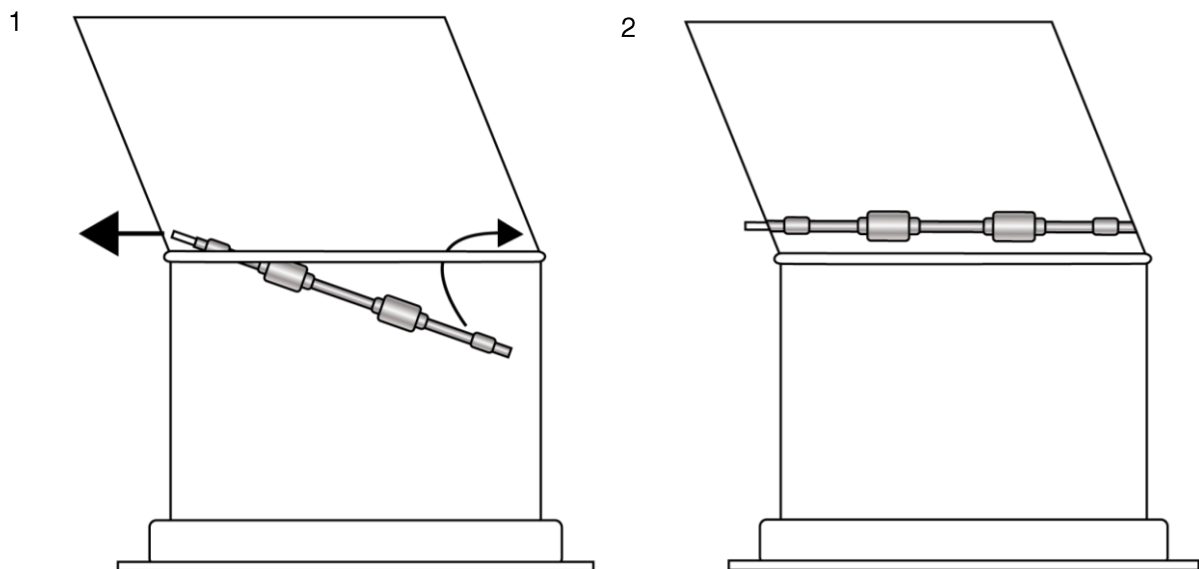
Drill two \varnothing 13 mm holes in the tube, opposite each other as shown. Remove any burrs.



2.2 Step 2 – Intall the light fixture

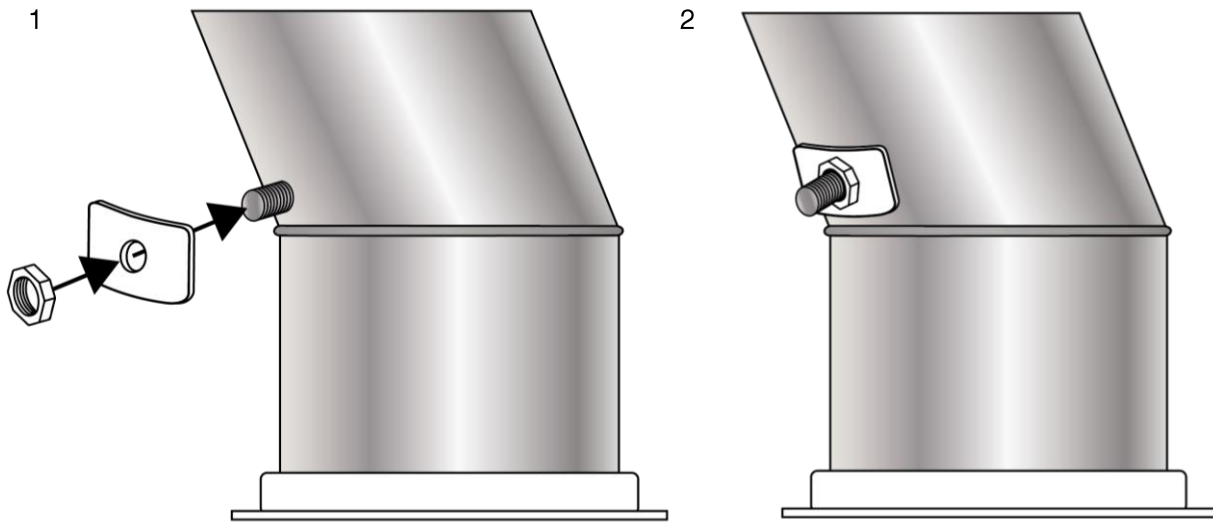
Insert the cables through the newly drilled hole in the tube and install the light fixture into the holes from the inside.

Attention: Avoid damaging the inside of the pipe!



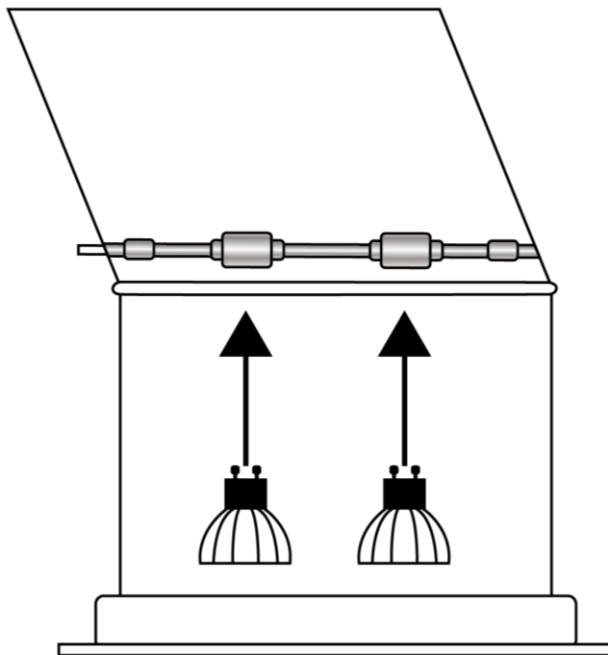
2.3 Step 3 – Install cover plates and fixings

Slide the cover plate and nut over the cables and tighten them (by hand) onto the screw thread. Now also tighten the other cover plate and nut onto the opposite thread (by hand)



2.4 Step 4 – Connecting Wiring

Now connect the power supply to the wires of the light fixture in accordance with the applicable national guidelines. Finally, fit two GU10 LED bulbs (purchased / sourced separately).



This completes the installation of your lighting fixture

