



SOLATUBE[®]
DAYLIGHTING SYSTEMS



Installation Instructions

Solatube Ø 25 cm
Pitched roof ventilation system

Enjoy daylight

Contents

1. Product Overview	4
1.1 Parts	
2. Installation Steps	5
2.1 Step 1 – Fit the Ubiflex ventilation roof flashing	5
2.2 Step 2 – High-Tack sealant / adhesive	6
2.3 Step 3 – Fit the ventilation pipe	7
2.4 Step 4 – Intall the airtight sleeve	7
2.5 Step 5 – Fit the fan motor unit	8
2.6 Step 6 – Connect flexible ducting	9
2.7 Step 7 – Fit a hose clamp	9
2.8 Step 8 – Apply the maintenance sticker	10
2.9 Step 9 – Switch installation	10
2.10 Step 10 – Install the ceiling ventilation grille	11

Version

20-08-2020

Safety Information

- Always observe the safety instructions for the materials and tools to be used.
- Always wear the appropriate personal protective equipment (gloves, safety goggles etc.)
- We would suggest that any roof works is completed by an experienced roofer.
- Always have any electrical works carried out by a certified electrician.
- Please note that the installation works is carried out at your own risk.

Guarantee

Non-electrical Solatube® components are covered by a 10 year manufacturer's warranty against any manufacturing defects. Please retain the original proof of purchase to validate the product warranty. Any costs associated to the installation of any replacement parts covered under the warranty remain at the expense of the purchaser. Our terms and conditions are available upon request.

Disclaimer

Techcomlight Limited expressly disclaims any liability for any unexpected additional expense arising as a result of condensation or any water damage resulting from condensation, installation not in accordance with Techcomlight Limited's installation guide/s or any other external influences beyond the control of Techcomlight Limited. Techcomlight cannot be held liable for damage to structures caused as a result of making openings and installing Solatube® systems. Techcomlight assumes no responsibility or obligation for the failure of an architect, contractor, installer or building owner to comply with all applicable laws, ordinances, building codes, energy codes, fire and safety codes and requirements, and adequate safety measures.

Installation instructions reserved. No rights can be derived from this publication.

1. Product Overview



1.1 Parts

- 1. Multivent ventilation pipe
- 2. Multivent hybrid fan
- 3. Ventilation ducting
- 4. Airtight sleeve
- 5. Screw tabs

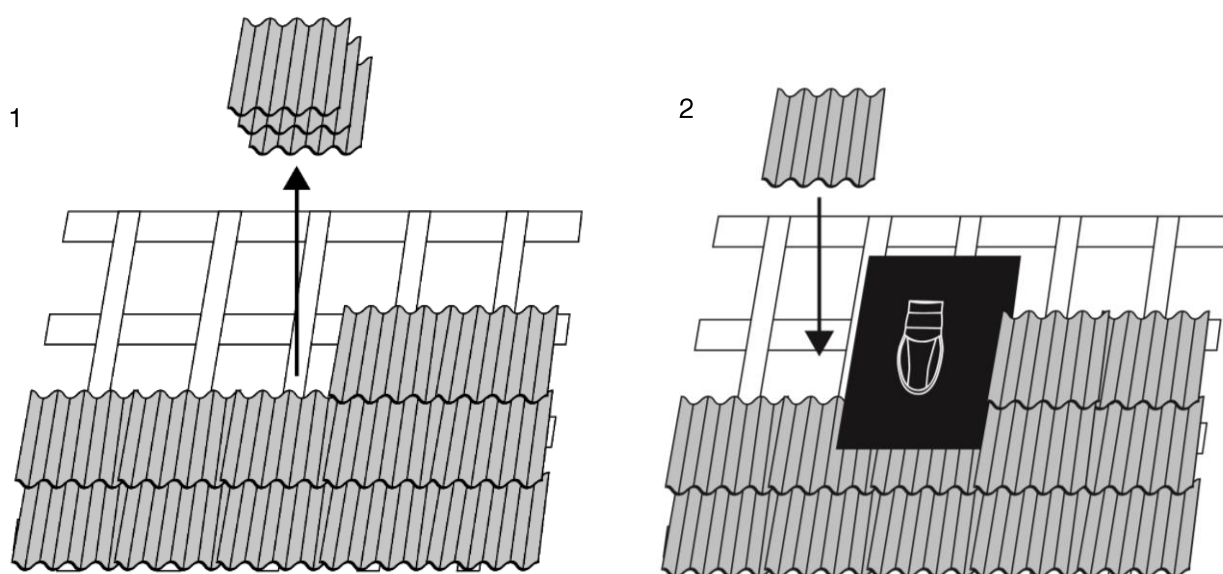
- 6. 2 x hose clamps
- 7. High-tack sealant
- 8. Ubiflex ventilation roof flashing
- 9. Ventilation grille

2. Installation Steps

2.1 Step 1 – Fit the Ubiflex ventilation roof flashing

Remove sufficient tiles from the roof to allow the flashing to fit down onto the tile battens as shown below.

Determine the ideal position so that the flashing can be installed beneath the tiles above / to the sides and down onto the tiles below.



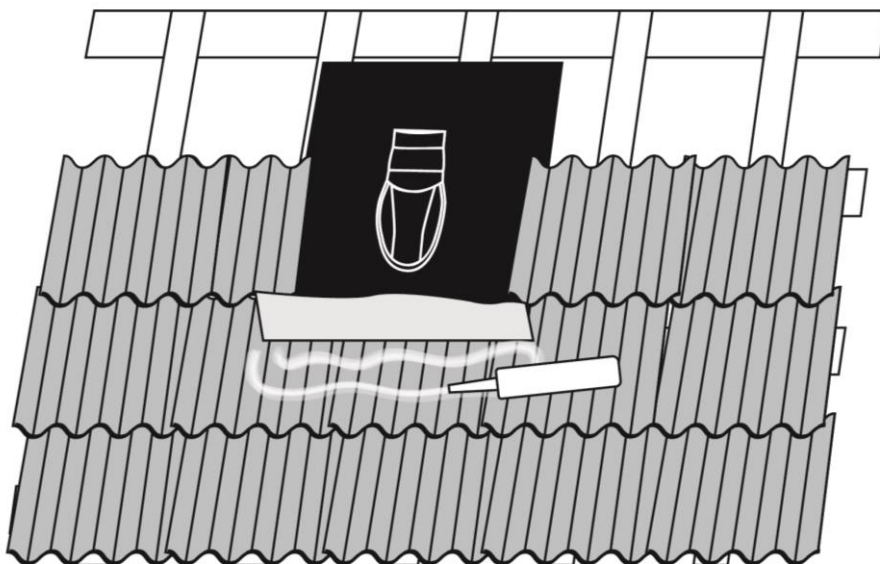
Create a weather stop by folding the sides and top of the flashing upwards by a few centimetres.

Dress the bottom skirt of the flashing down onto the profile of the tiles below.

2.2 Step 2 – High-Tack sealant / adhesive

Secure the lower skirt of the flashing down onto the tiles below with the High-tack adhesive / sealant provided.

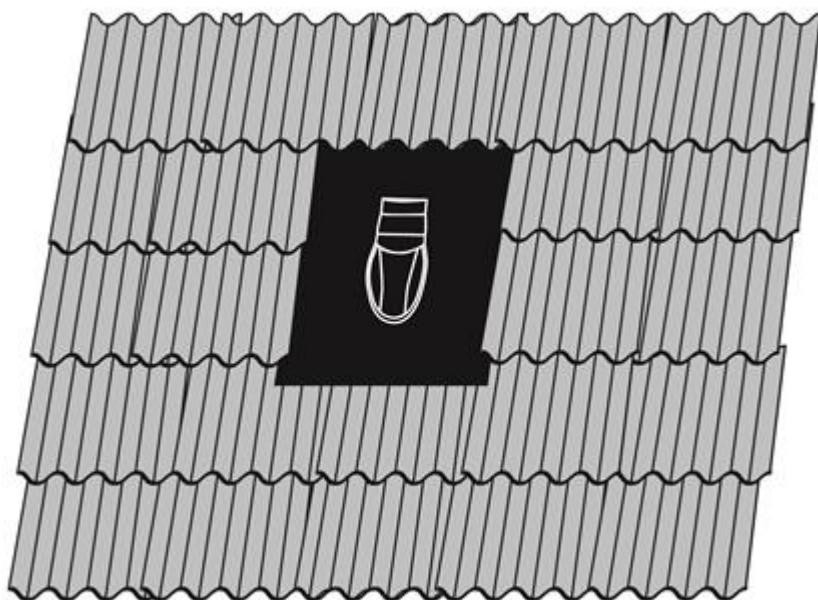
Tip: Ensure that the tiles below the flashing skirt are free from dust and debris prior to applying the High-tack adhesive/sealant



Push the bottom edge of the flashing down firmly.

Fit the roof tiles back around the sides and top of the roof flashing.

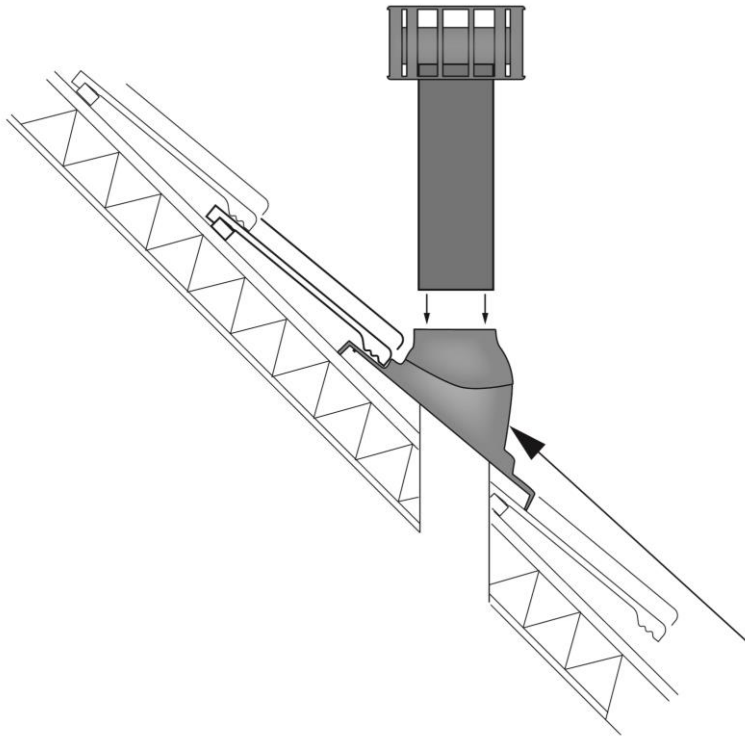
Note: The sides of the flashing must be overlapped by the roof tiles



2.3 Step 3 – Fit the ventilation pipe

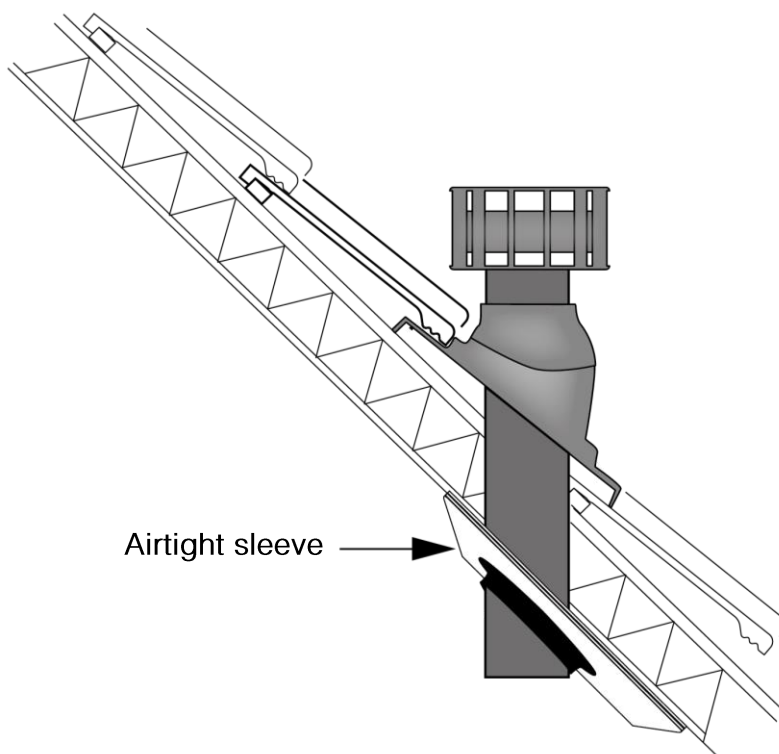
Carefully slide the ventilation pipe down through the Ubiflex roof flashing.

Tip: The ventilation pipe can be shortened if necessary.



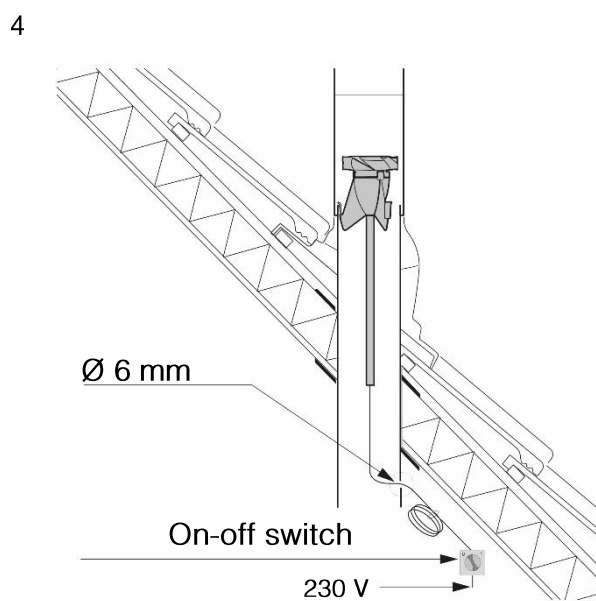
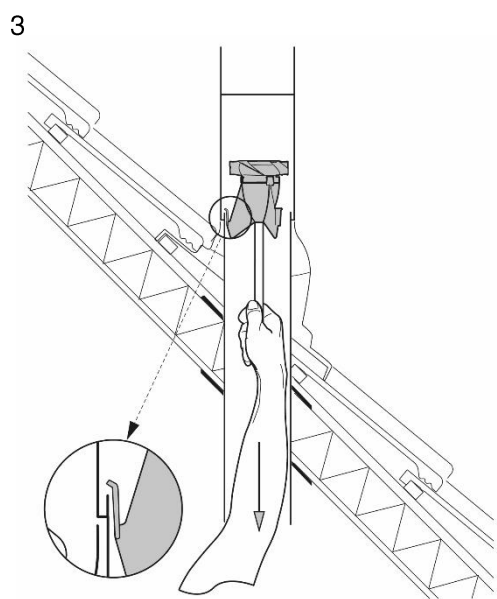
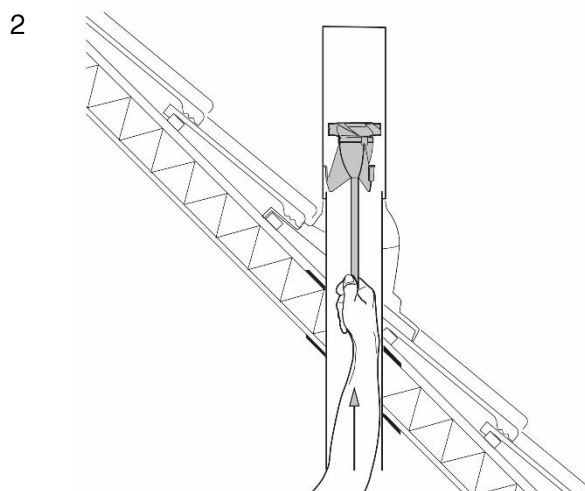
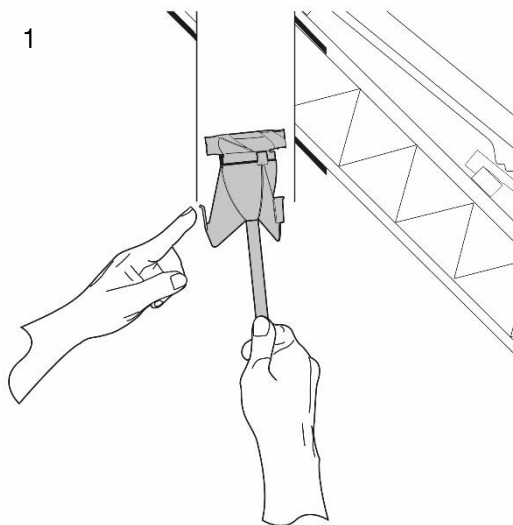
2.4 Step 4 – Install the airtight sleeve

Install the airtight sleeve over the pipe tight up against the underside of the roof to create an airtight seal as shown below.



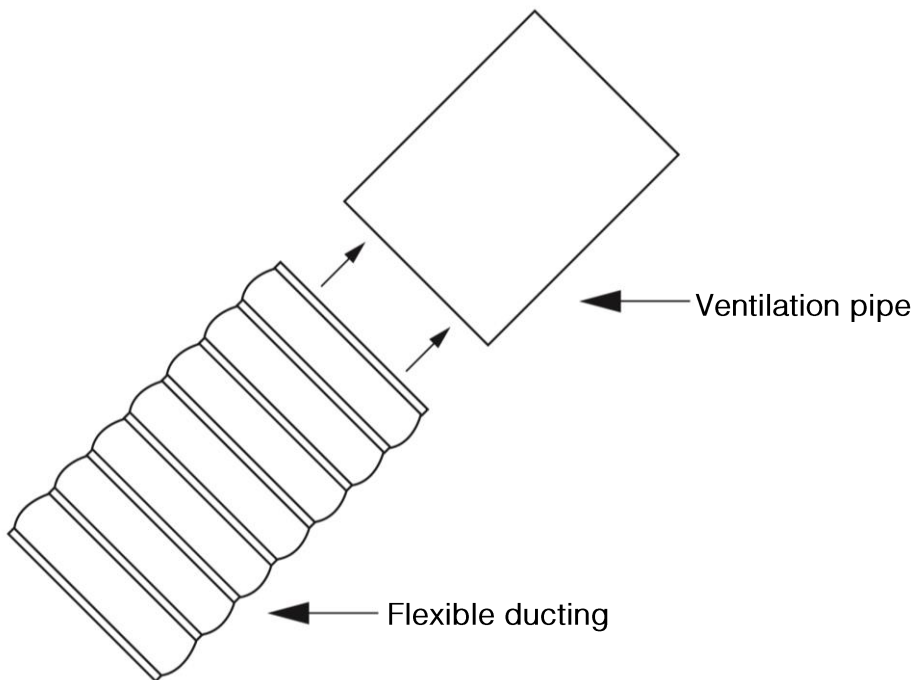
2.5 Step 5 – Fit the fan motor unit

Carefully push the fan motor unit up through the ventilation pipe until it locates into place as shown below.



2.6 Step 6 – Connect flexible ducting

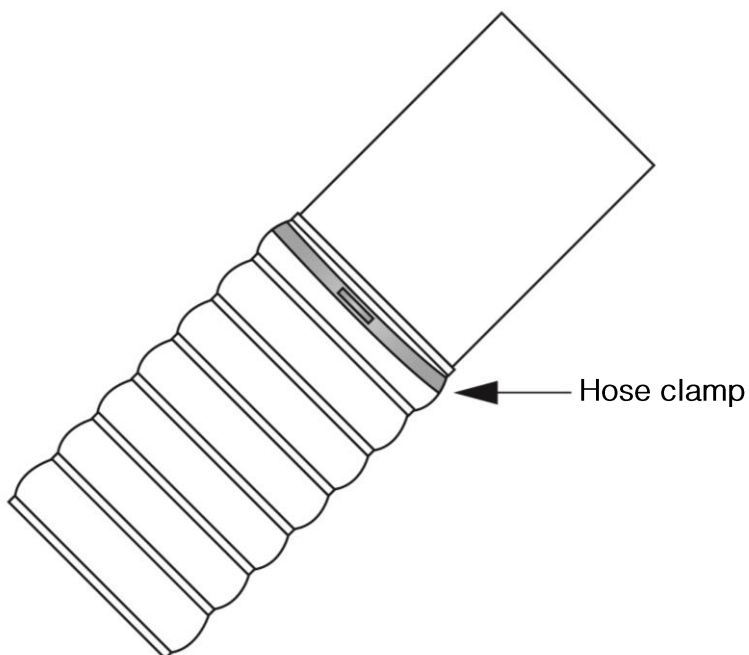
Fit the end of the flexible ducting over the end of the ventilation pipe.



2.7 Step 7 – Fit a hose clamp

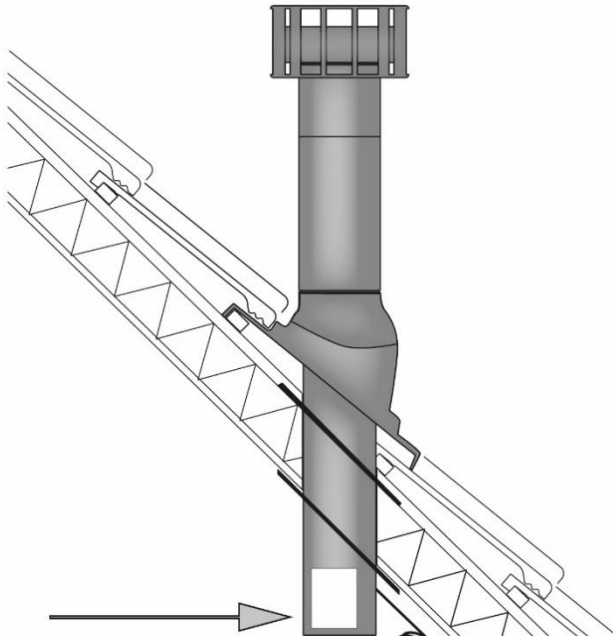
Secure the flexible ducting onto the end of the ventilation pipe with one of the hose clamps supplied.

Note: A hose clamp will need to be fitted at the top and bottom of the flexible ducting to secure it into place.



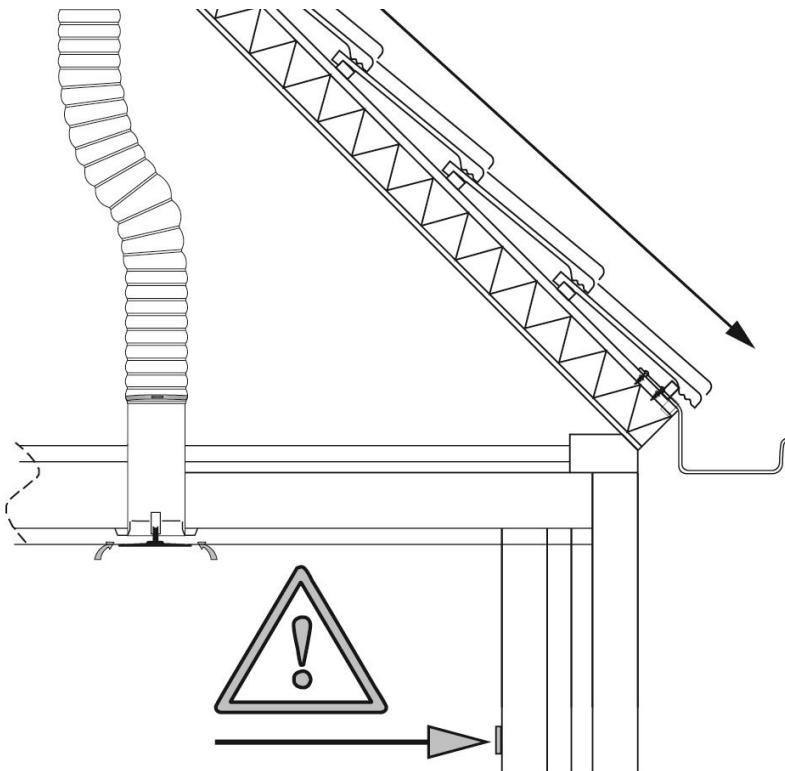
2.8 Step 8 – Apply the maintenance sticker

Stick the supplied maintenance instruction sticker onto the ventilation pipe.



2.9 Step 9 – Switch installation

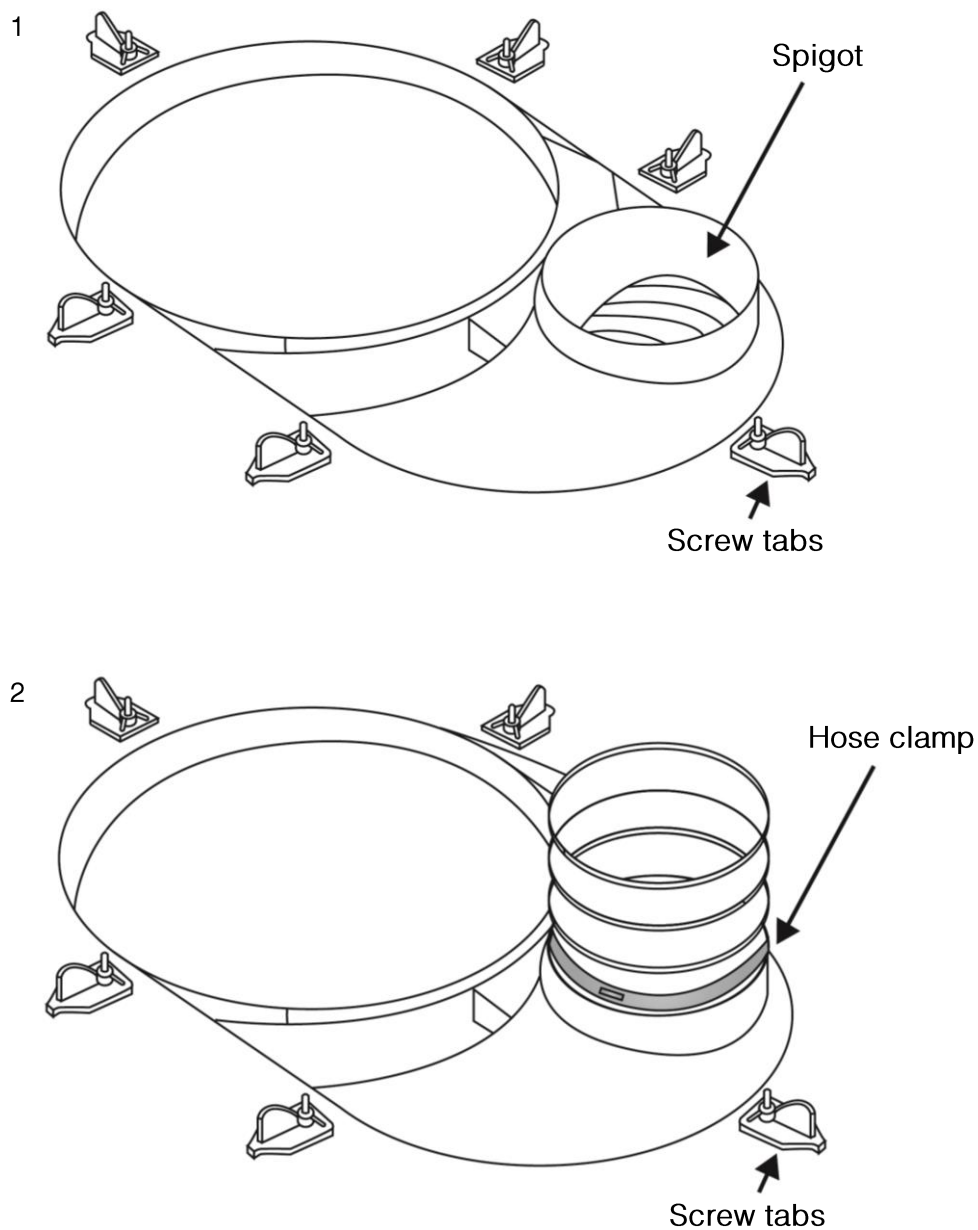
Ensure that the switch for the ventilation system is a separate switch.



2.10 Step 10 – Install the ceiling ventilation grille

Install the ventilation grille into the ceiling opening with the ceiling screws, using the screw tabs for reinforcement.

Connect the bottom end of the flexible ducting to the spigot on the back of the grille and secure it in place with the remaining hose clamp.



This completes the installation of your ventilation system.

