



SOLATUBE[®]
DAYLIGHTING SYSTEMS

Installation Instructions

Manual Daylight Dimmer
Solatube Ø 25 cm

Enjoy daylight

Contents

1. Product Overview	3
1.1 Parts	
1.2 Optional Parts	
2. Installation Steps	4
2.1 Step 1 – Remove the ceiling diffuser	4
2.2 Step 2 – Fit metal inserts	4
2.3 Step 3 – Fit the ceiling diffuser	5
2.4 Step 4 – Optional extension poles	5

Version

07-05-2020

Safety Information

- Always observe the safety instructions for the materials and tools to be used.
- Always wear the appropriate personal protective equipment (gloves, safety goggles etc.)
- We would suggest that any roof works is completed by an experienced roofer.
- Always have any electrical works carried out by a certified electrician.
- Please note that the installation works is carried out at your own risk.

Guarantee

Non-electrical Solatube® components are covered by a 10 year manufacturer's warranty against any manufacturing defects. Please retain the original proof of purchase to validate the product warranty. Any costs associated to the installation of any replacement parts covered under the warranty remain at the expense of the purchaser. Our terms and conditions are available upon request.

Disclaimer

Techcomlight Limited expressly disclaims any liability for any unexpected additional expense arising as a result of condensation or any water damage resulting from condensation, installation not in accordance with Techcomlight Limited's installation guide/s or any other external influences beyond the control of Techcomlight Limited. Techcomlight cannot be held liable for damage to structures caused as a result of making openings and installing Solatube® systems. Techcomlight assumes no responsibility or obligation for the failure of an architect, contractor, installer or building owner to comply with all applicable laws, ordinances, building codes, energy codes, fire and safety codes and requirements, and adequate safety measures.

Installation instructions reserved. No rights can be derived from this publication.

1. Product Overview



1.1 Parts

1. Dimmer cover
2. Attachment pole
3. 8 x metal inserts

1.2 Optional Parts

4. Extension pole (s)
5. Pole connector (s)
6. Pole cap

The following (power) tools may be required;

None

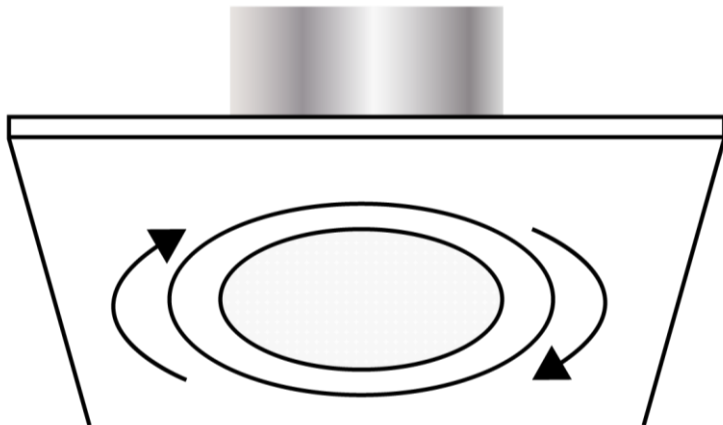
Please note;

The manual daylight dimmer can only be used with the following ceiling diffusers: Classic Vusion and Classic Optiview.

2. Installation Steps

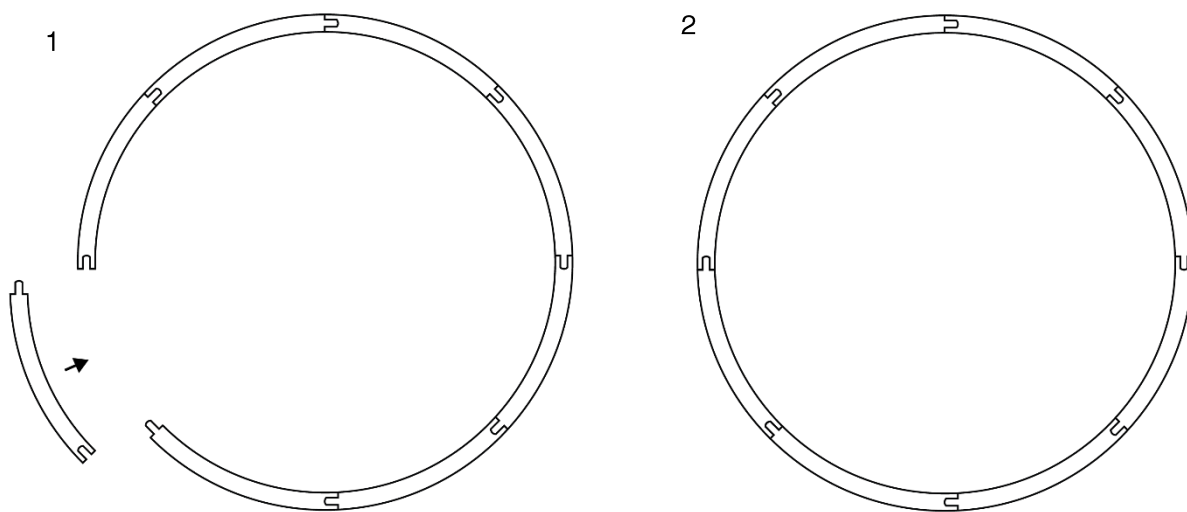
2.1 Step 1 – Remove the ceiling diffuser

Gently twist the ceiling diffuser anticlockwise until it is released from the ceiling fitting.



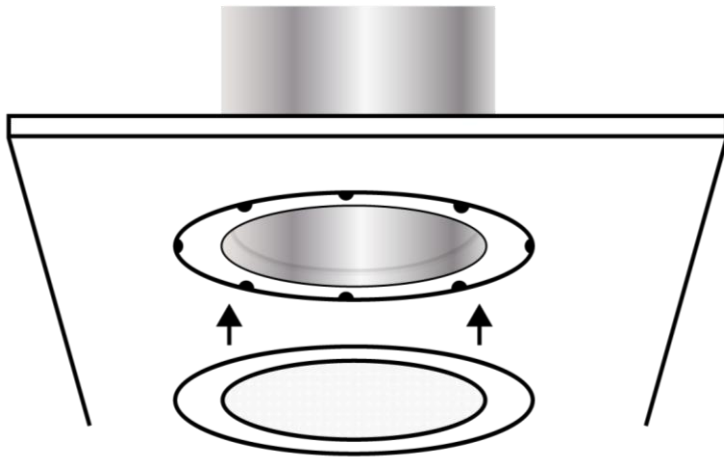
2.2 Step 2 – Fit metal inserts

Place the metal inserts onto the inside of the ceiling diffuser. Fit the pieces together so that they form a ring as shown below.



2.3 Step 3 – Fit the ceiling diffuser

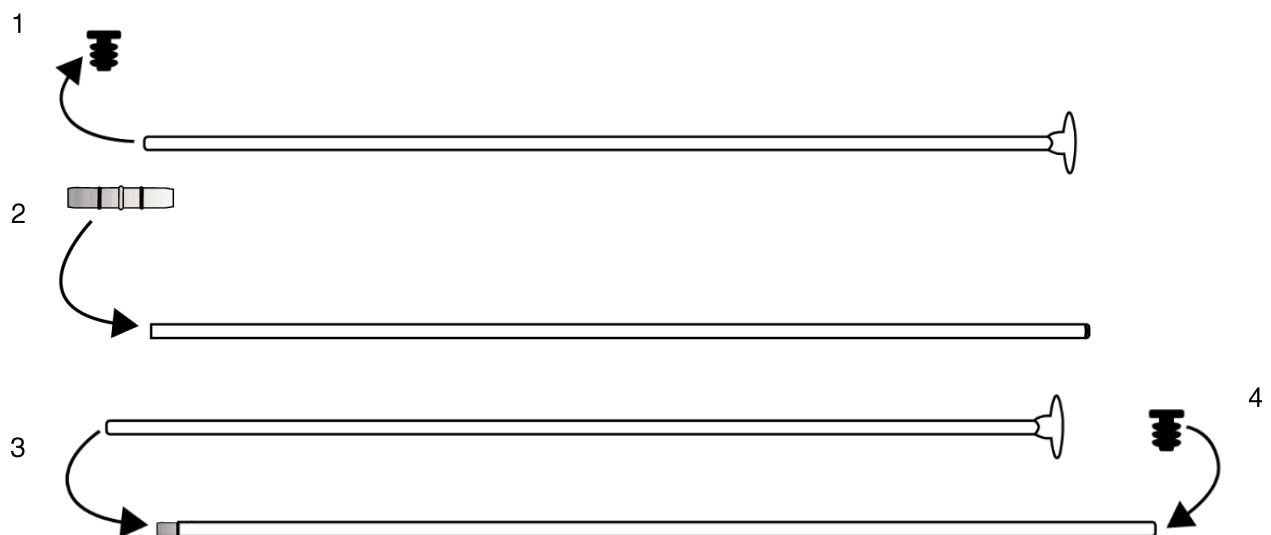
Hold the ceiling diffuser up over the ceiling ring being careful to retain the metal inserts in position and align the tabs on the back of the diffuser with the recesses in the ceiling ring. Gently twist the ceiling diffuser in a clockwise direction until it is fully engaged into place.



2.4 Step 4 – Optional extension poles

The standard manual dimmer attachment pole is 59 cm in length. Additional 59 cm long extension poles are available to purchase separately.

Remove the black cap from the end of the attachment pole. Push the pole connector into the end of the attachment pole and push the extension pole on to the other side of the connector. Repeat this process to extend the length of the pole with multiple extensions. Push the black cap into the open end of the last extension pole.



This completes the installation of your manual daylight dimmer.

