



SOLATUBE[®]
DAYLIGHTING SYSTEMS



Installation Instructions

Solatube Ø 25 cm square
Recessed ceiling diffuser

Enjoy daylight

Contents

| | |
|--|---|
| 1. Product Overview | 3 |
| 1.1 Parts | |
| 2. Installation Steps | 4 |
| 2.1 Step 1 – Apply stucco | 4 |
| 2.2 Step 2 – Remove protective film | 4 |
| 2.3 Step 3 – Install the diffuser | 5 |

Version

17-08-2020

Safety Information

- Always observe the safety instructions for the materials and tools to be used.
- Always wear the appropriate personal protective equipment (gloves, safety goggles etc.)
- We would suggest that any roof works is completed by an experienced roofer.
- Always have any electrical works carried out by a certified electrician.
- Please note that the installation works is carried out at your own risk.

Guarantee

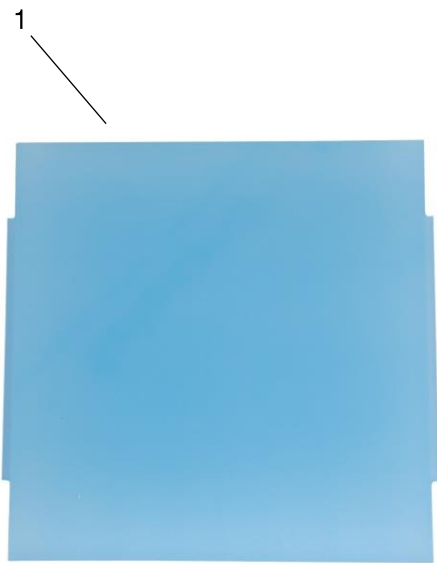
Non-electrical Solatube® components are covered by a 10 year manufacturer's warranty against any manufacturing defects. Please retain the original proof of purchase to validate the product warranty. Any costs associated to the installation of any replacement parts covered under the warranty remain at the expense of the purchaser. Our terms and conditions are available upon request.

Disclaimer

Techcomlight Limited expressly disclaims any liability for any unexpected additional expense arising as a result of condensation or any water damage resulting from condensation, installation not in accordance with Techcomlight Limited's installation guide/s or any other external influences beyond the control of Techcomlight Limited. Techcomlight cannot be held liable for damage to structures caused as a result of making openings and installing Solatube® systems. Techcomlight assumes no responsibility or obligation for the failure of an architect, contractor, installer or building owner to comply with all applicable laws, ordinances, building codes, energy codes, fire and safety codes and requirements, and adequate safety measures.

Installation instructions reserved. No rights can be derived from this publication

1. Product Overview



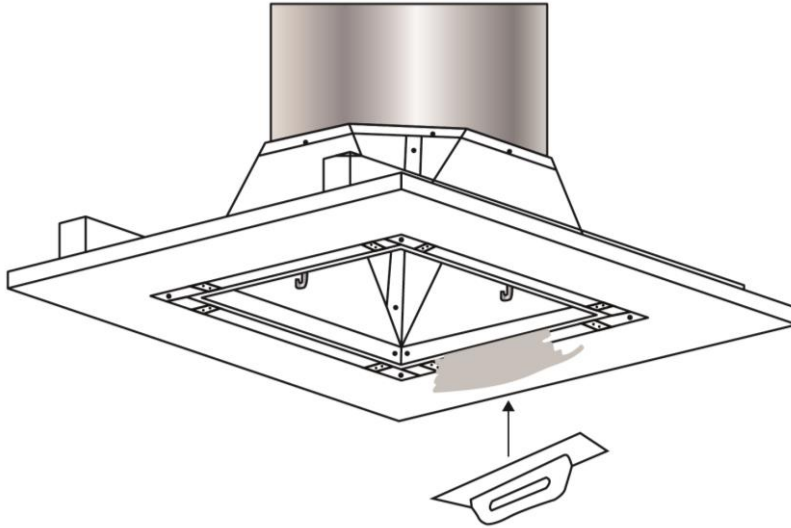
1.1 Parts

1. Recessed ceiling diffuser

2. Installation Steps

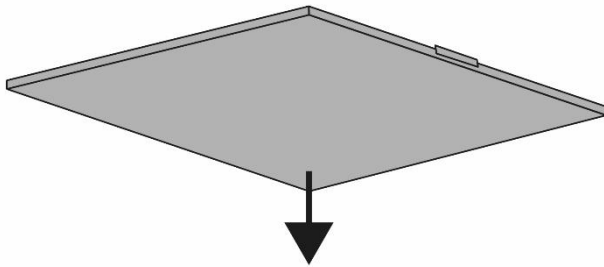
2.1 Step 1 – Apply stucco

Apply the stucco (plaster) up to the stainless steel stucco edge with the necessary tools.



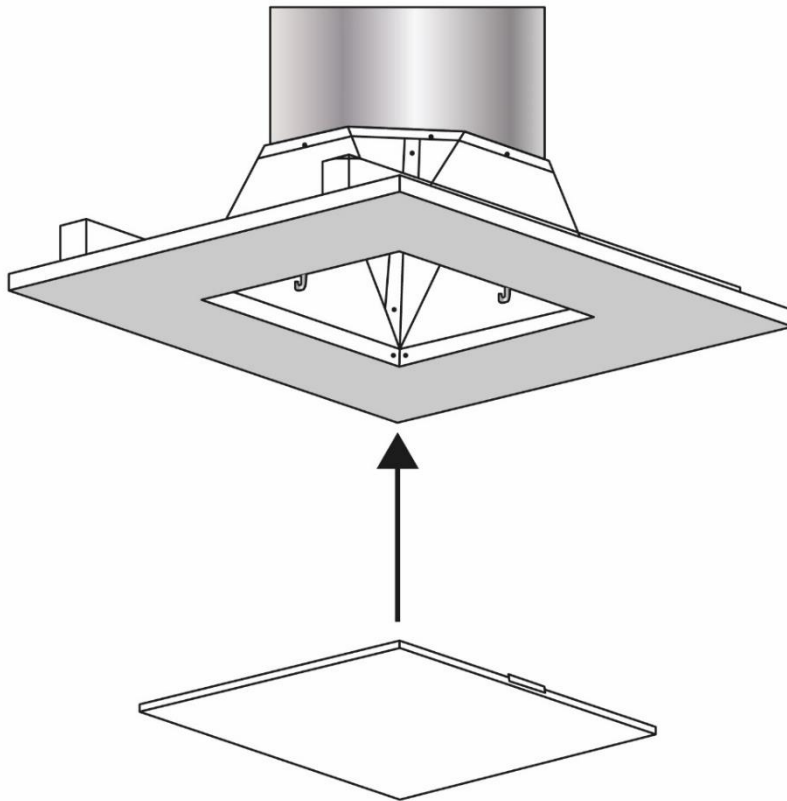
2.2 Step 2 – Remove protective film

Remove the protective film from both sides of the recessed ceiling diffuser.



2.3 Step 3 – Install the diffuser

The diffuser must be inserted diagonally up into the bottom of the transition box and then lowered carefully into place, so that the diffuser fits down into the recess.



This completes the installation of the recessed ceiling diffuser.

