



SOLATUBE[®]
DAYLIGHTING SYSTEMS

Installation Instructions

Solatube Ø 25 cm square
JustFrost ceiling diffuser

Enjoy daylight

Contents

1. Product Overview2

1.1 Parts4

2. Installation Steps4

2.1 Step 1 – Install the ceiling diffuser4

Version

17-07-2020

Safety Information

- Always observe the safety instructions for the materials and tools to be used.
- Always wear the appropriate personal protective equipment (gloves, safety goggles etc.)
- We would suggest that any roof works is completed by an experienced roofer.
- Always have any electrical works carried out by a certified electrician.
- Please note that the installation works is carried out at your own risk.

Guarantee

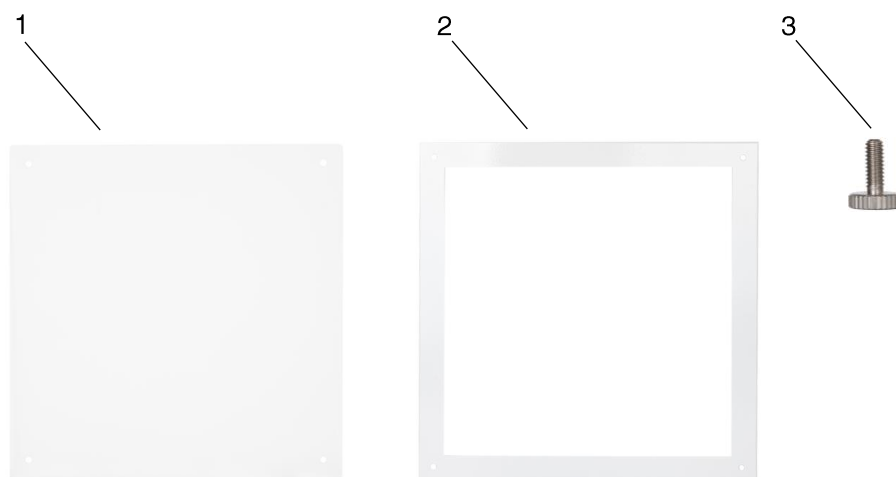
Non-electrical Solatube® components are covered by a 10 year manufacturer’s warranty against any manufacturing defects. Please retain the original proof of purchase to validate the product warranty. Any costs associated to the installation of any replacement parts covered under the warranty remain at the expense of the purchaser. Our terms and conditions are available upon request.

Disclaimer

Techcomlight Limited expressly disclaims any liability for any unexpected additional expense arising as a result of condensation or any water damage resulting from condensation, installation not in accordance with Techcomlight Limited’s installation guide/s or any other external influences beyond the control of Techcomlight Limited. Techcomlight cannot be held liable for damage to structures caused as a result of making openings and installing Solatube® systems. Techcomlight assumes no responsibility or obligation for the failure of an architect, contractor, installer or building owner to comply with all applicable laws, ordinances, building codes, energy codes, fire and safety codes and requirements, and adequate safety measures.

Installation instructions reserved. No rights can be derived from this publication.

1. Product Overview



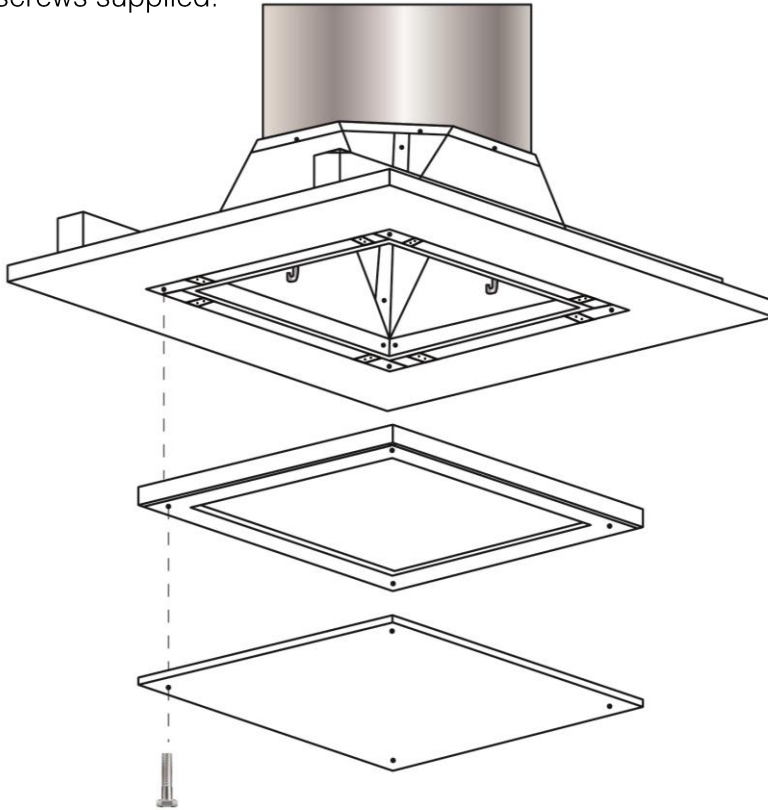
1.1 Parts

1. Square ceiling diffuser
2. White Metal Frame
3. 4 x Fixing screws

2. Installation Steps

2.1 Step 1 – Install the ceiling diffuser

Remove the protective film from both sides of the ceiling diffuser. Align the fixing holes in the square ceiling diffuser and white metal frame with those in the ceiling fitting as shown below. Screw the ceiling diffuser and metal frame to the ceiling fitting with the 4 fixing screws supplied.



This completes the installation of your Solatube square ceiling diffuser.

