



SOLATUBE[®]
DAYLIGHTING SYSTEMS

Installation Instructions

Solatube Ø 25 cm Round
TierDrop Ceiling Diffuser

Enjoy daylight

Table of Contents

1. Product Overview	3
1.1 Parts	3
2. Installation Steps	4
2.1 Step 1 – Align the ceiling diffuser	4
2.2 Step 2 – Twist on the diffuser	4

Version

02-07-2020

Safety Information

- Always observe the safety instructions for the materials and tools to be used.
- Always wear the appropriate personal protective equipment (gloves, safety goggles etc.)
- We would suggest that any roof works is completed by an experienced roofer.
- Always have any electrical works carried out by a certified electrician.
- Please note that the installation works is carried out at your own risk.

Guarantee

Non-electrical Solatube® components are covered by a 10 year manufacturer's warranty against any manufacturing defects. Please retain the original proof of purchase to validate the product warranty. Any costs associated to the installation of any replacement parts covered under the warranty remain at the expense of the purchaser. Our terms and conditions are available upon request.

Disclaimer

Techcomlight Limited expressly disclaims any liability for any unexpected additional expense arising as a result of condensation or any water damage resulting from condensation, installation not in accordance with Techcomlight Limited's installation guide/s or any other external influences beyond the control of Techcomlight Limited. Techcomlight cannot be held liable for damage to structures caused as a result of making openings and installing Solatube® systems. Techcomlight assumes no responsibility or obligation for the failure of an architect, contractor, installer or building owner to comply with all applicable laws, ordinances, building codes, energy codes, fire and safety codes and requirements, and adequate safety measures.

Installation instructions reserved. No rights can be derived from this publication

1. Product Overview



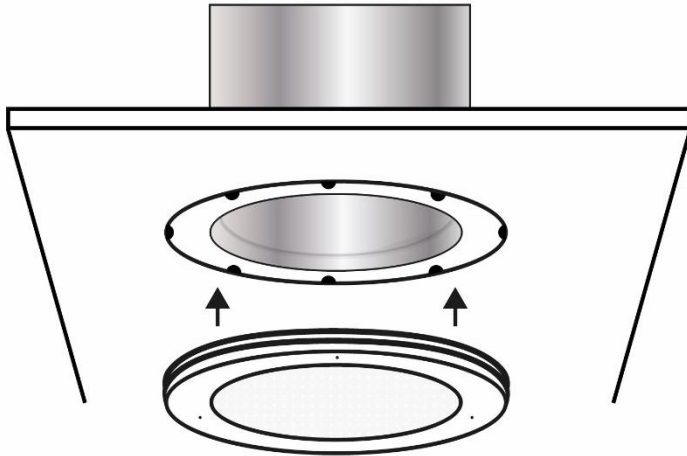
1.1 Parts

1. TierDrop Ceiling Diffuser

2. Installation Steps

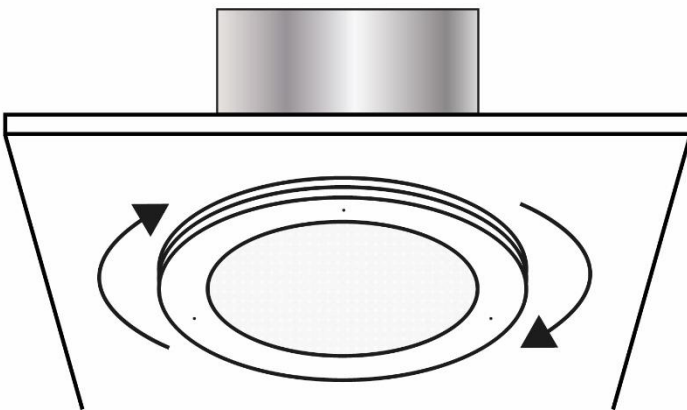
2.1 Step 1 – Align the ceiling diffuser

Hold the ceiling diffuser up over the ceiling ring and align the tabs on the back of the diffuser with the recesses in the ceiling ring.



2.2 Step 2 – Twist on the diffuser

Gently twist the ceiling diffuser in a clockwise direction until it is fully engaged into place.



This completes the installation of your Solatube ceiling diffuser.

